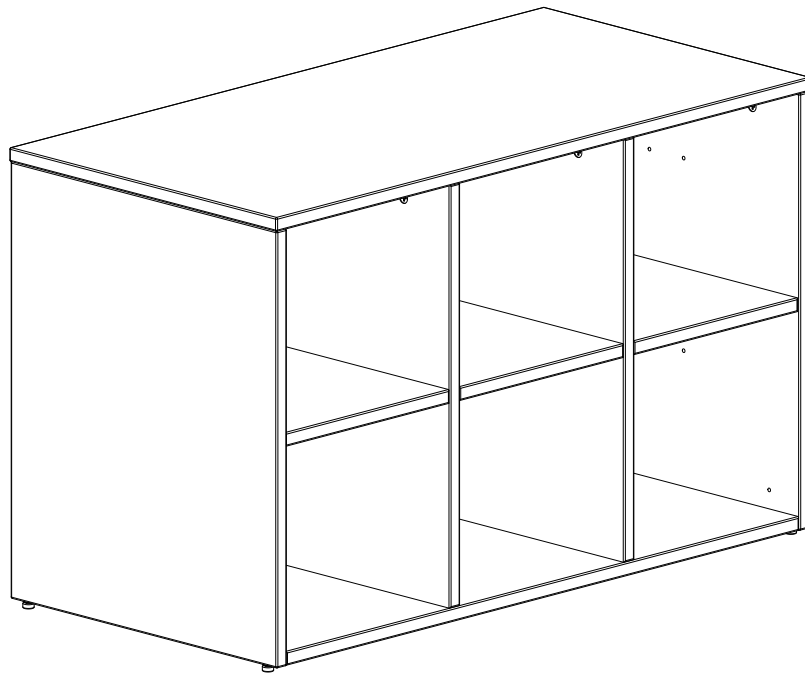




Assembly Guide

Svea storage podium w. compartments



04.2026

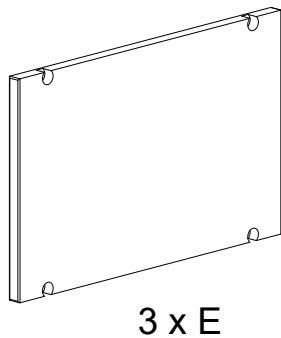
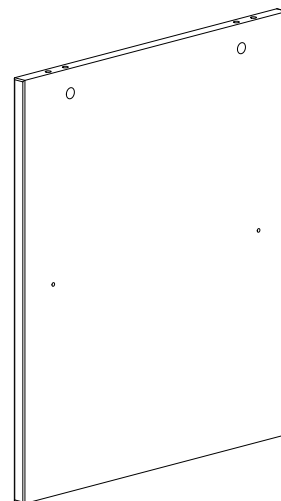
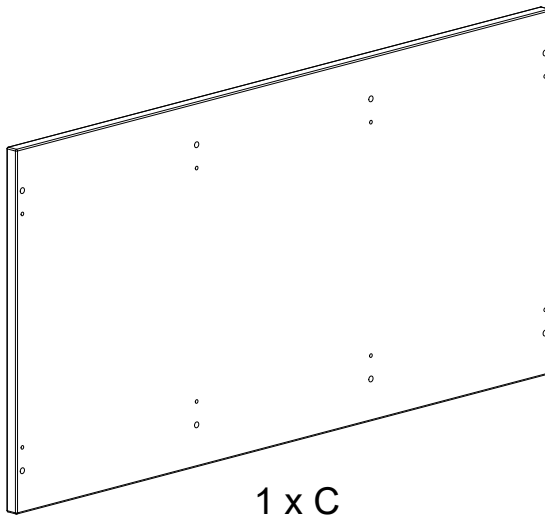
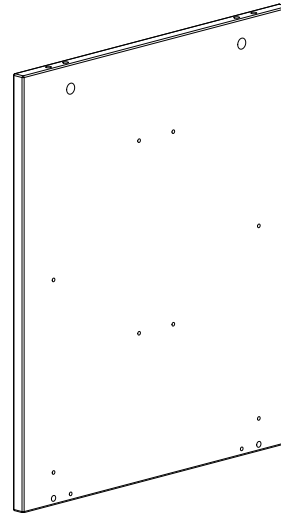
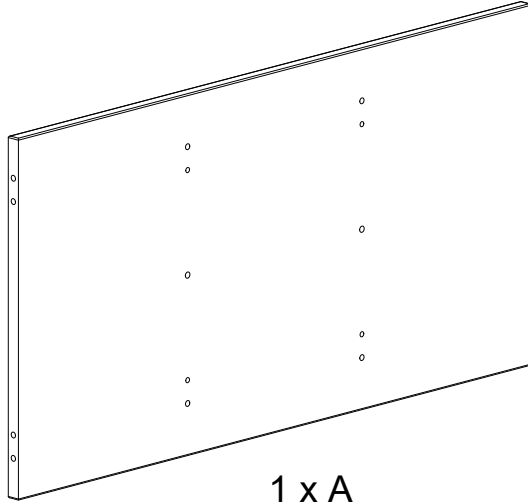
First check the contents to make sure that nothing is missing. Sort out the screws and fittings as shown.
Assemble your furniture step by step, as shown in the illustrations.

Assembly Guide



Svea storage podium w. compartments

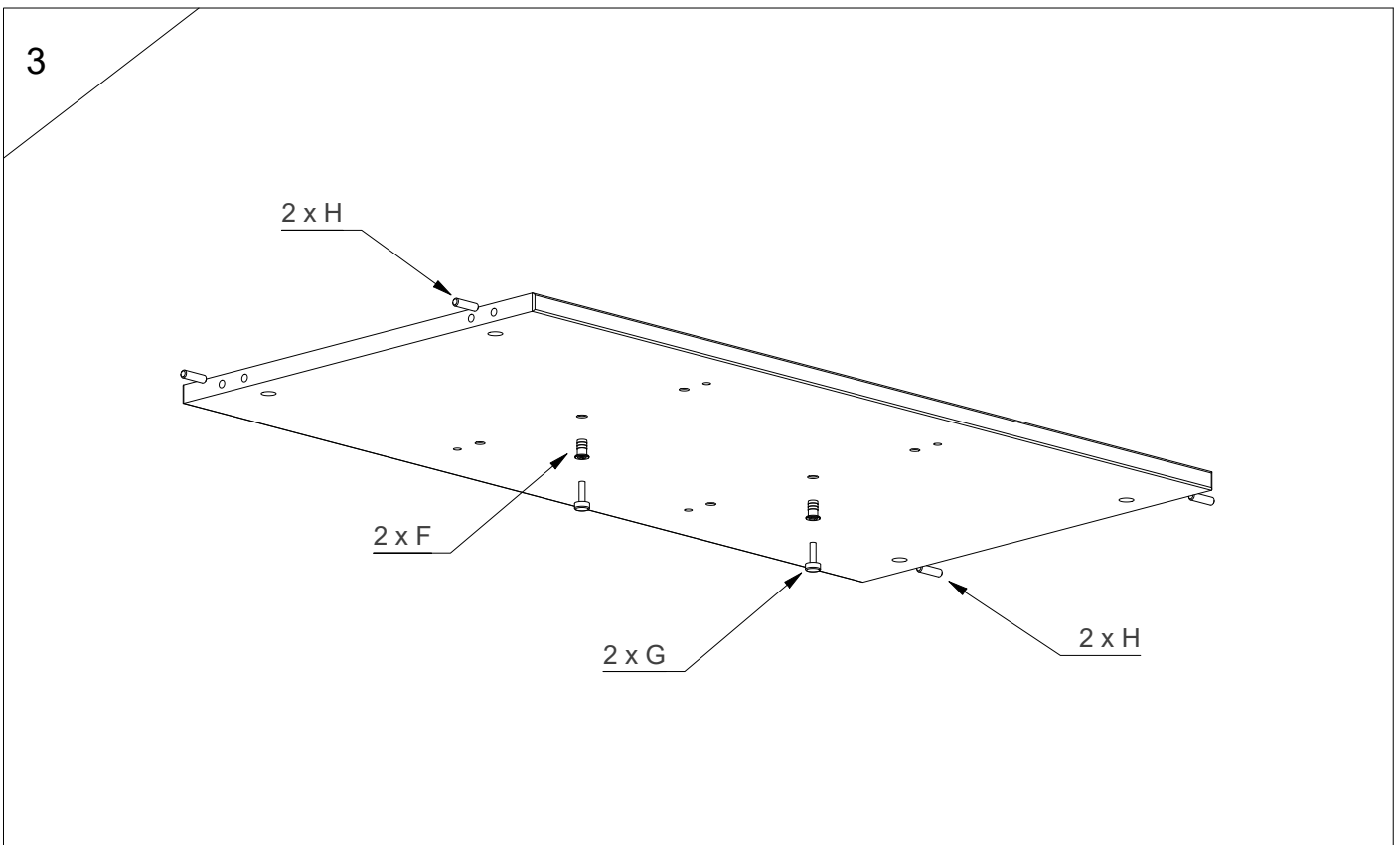
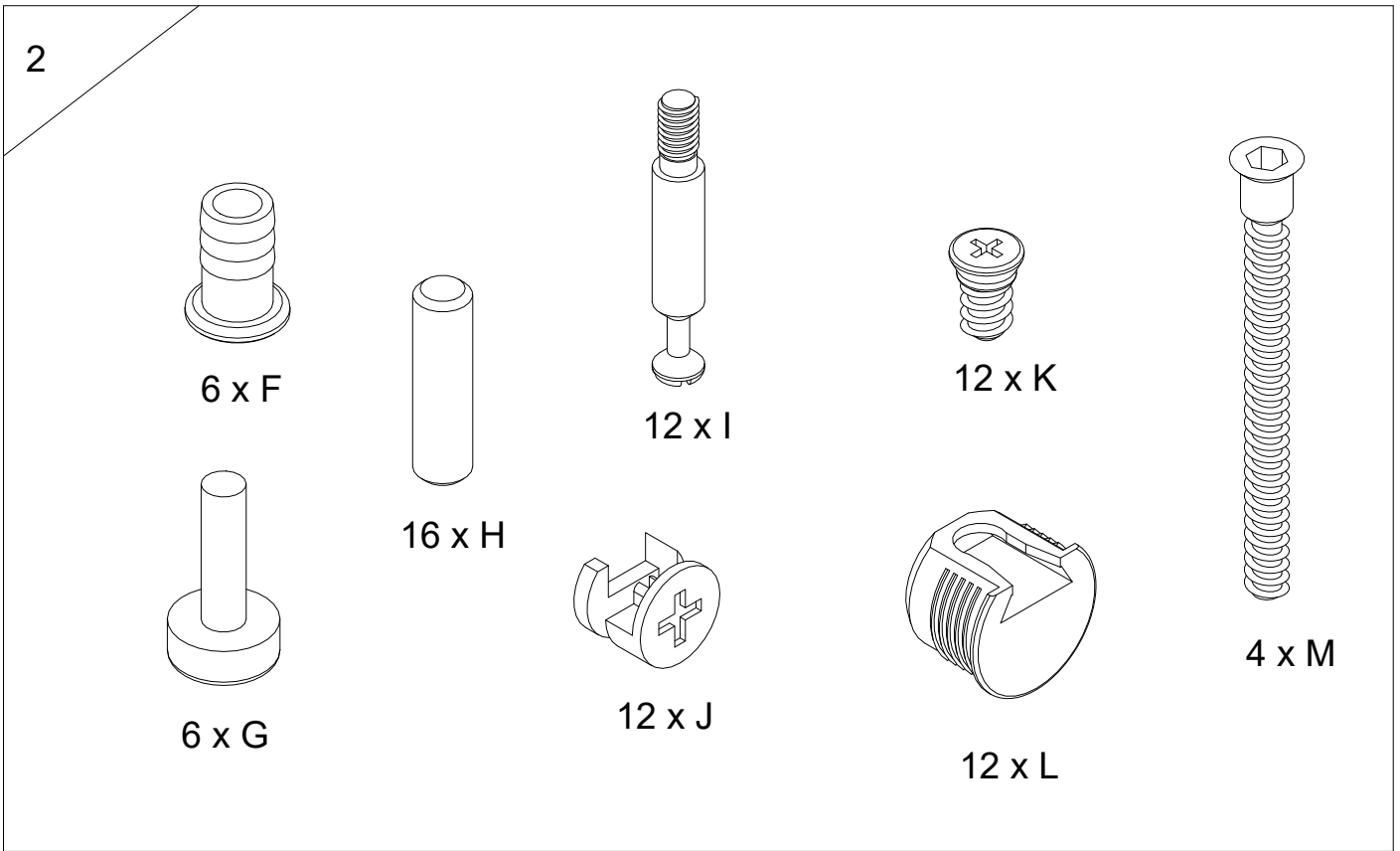
1



Assembly Guide



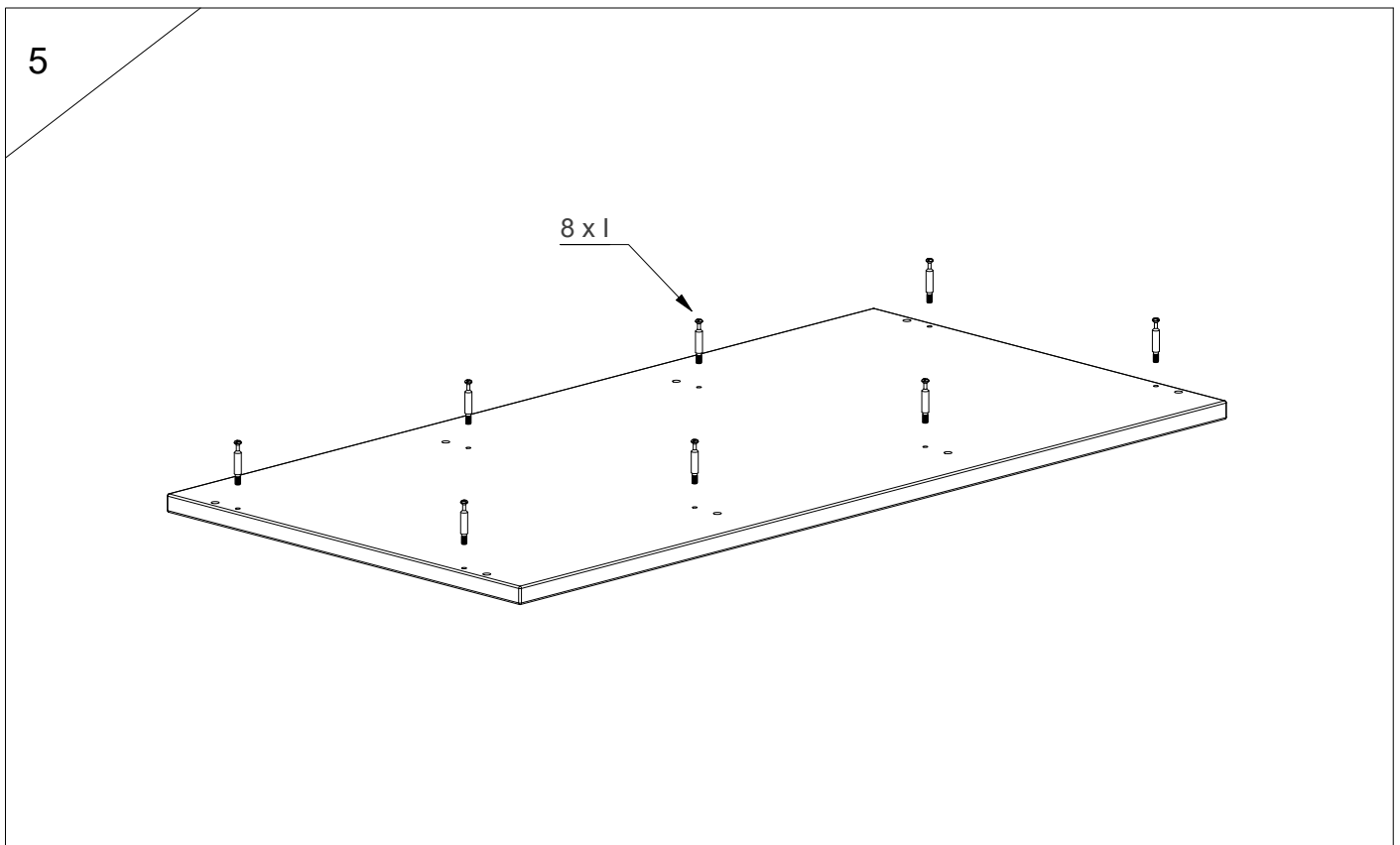
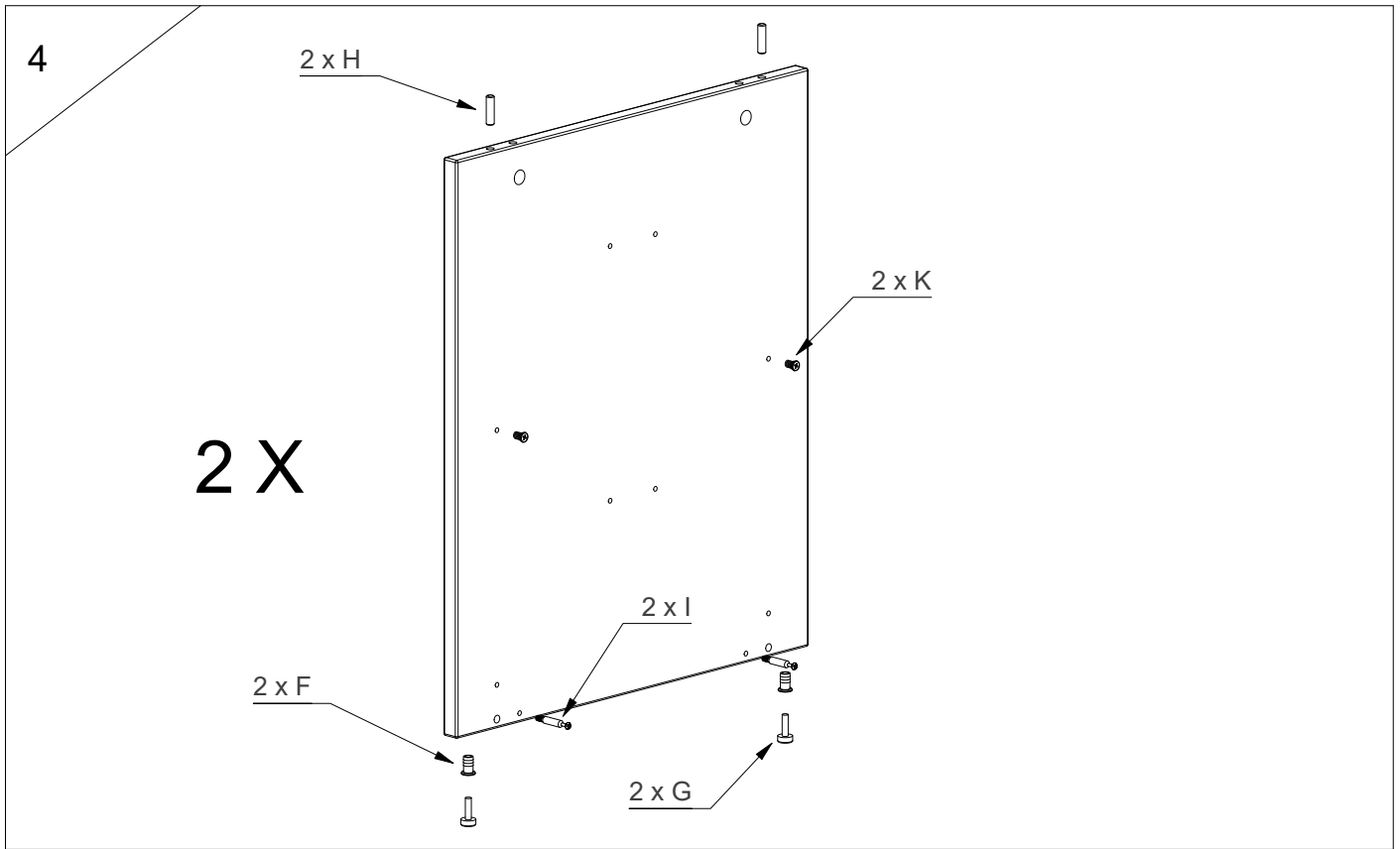
Svea storage podium w. compartments



Assembly Guide



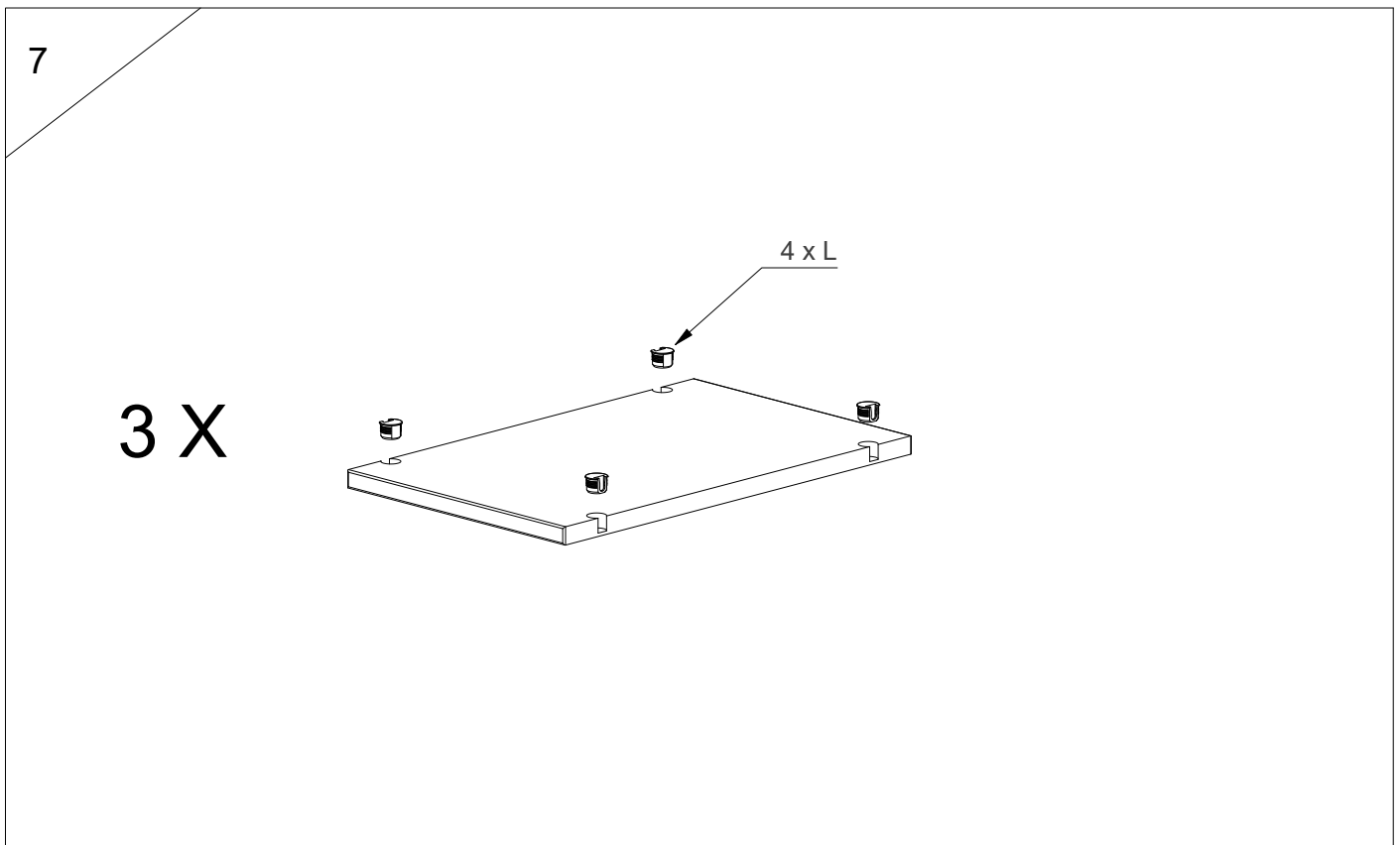
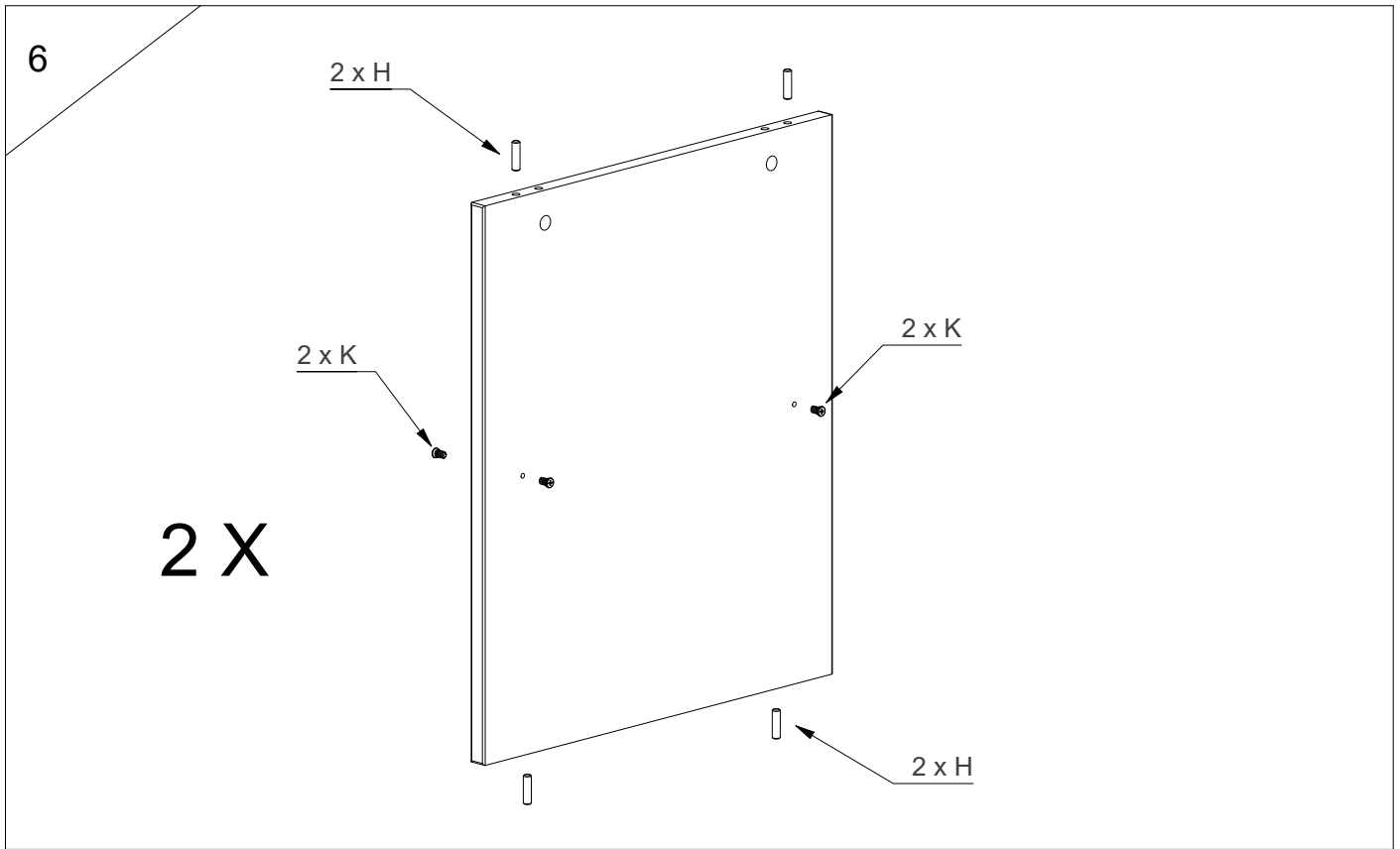
Svea storage podium w. compartments



Assembly Guide



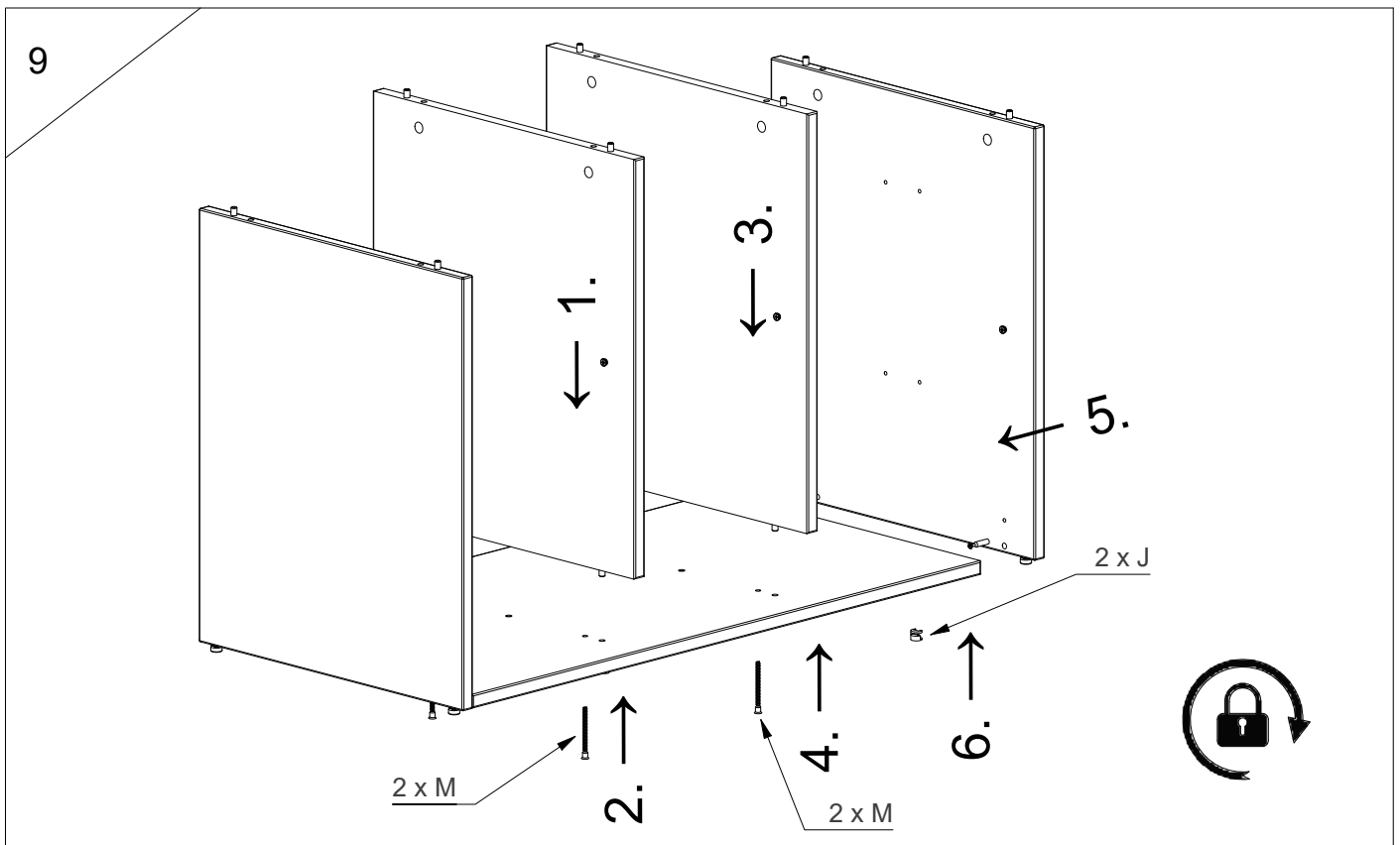
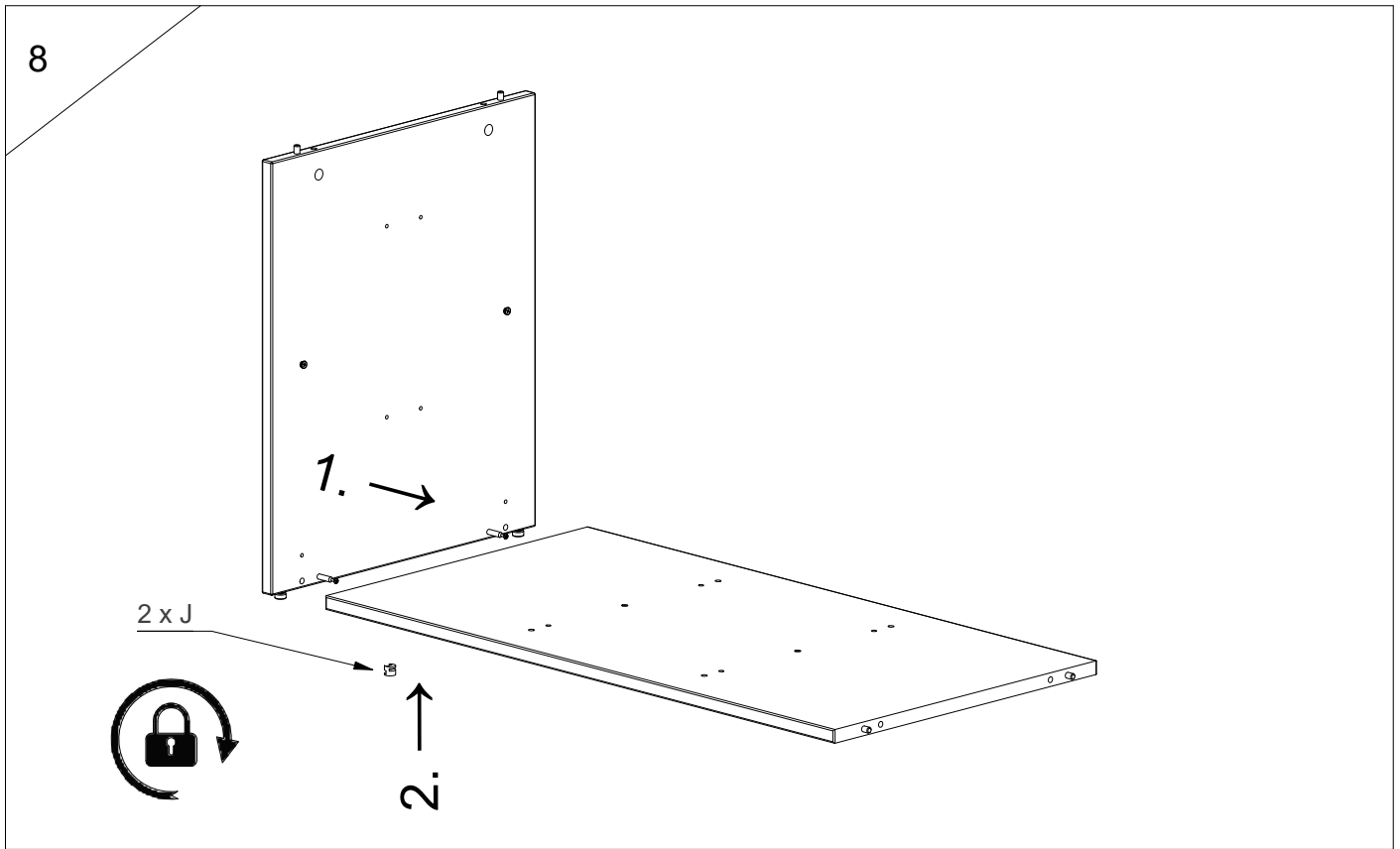
Svea storage podium w. compartments



Assembly Guide



Svea storage podium w. compartments



Assembly Guide



Svea storage podium w. compartments

