



Assembly Guide

Lingo-Go, Starter & Add-on

2120

1820

1520

2 x

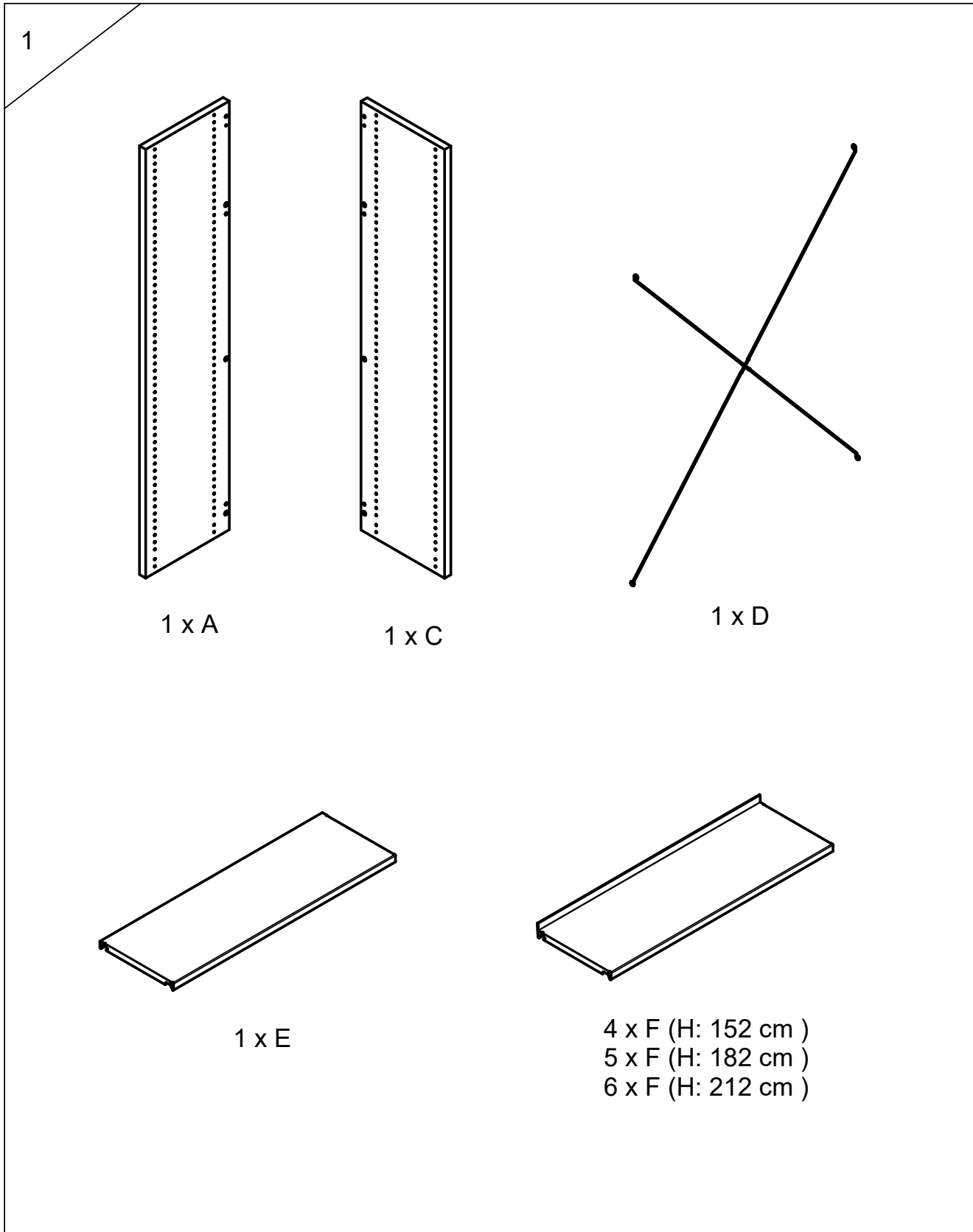
09.2024

First check the contents to make sure that nothing is missing. Sort out the screws and fittings as shown. Assemble your furniture step by step, as shown in the illustrations.

Assembly Guide



Lingo-Go, Starter parts

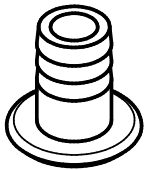


Assembly Guide

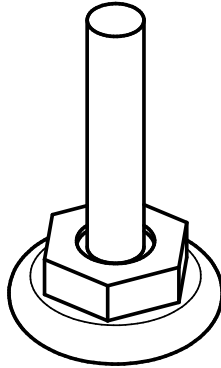


Lingo-Go, Starter parts

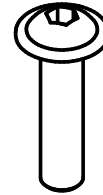
2



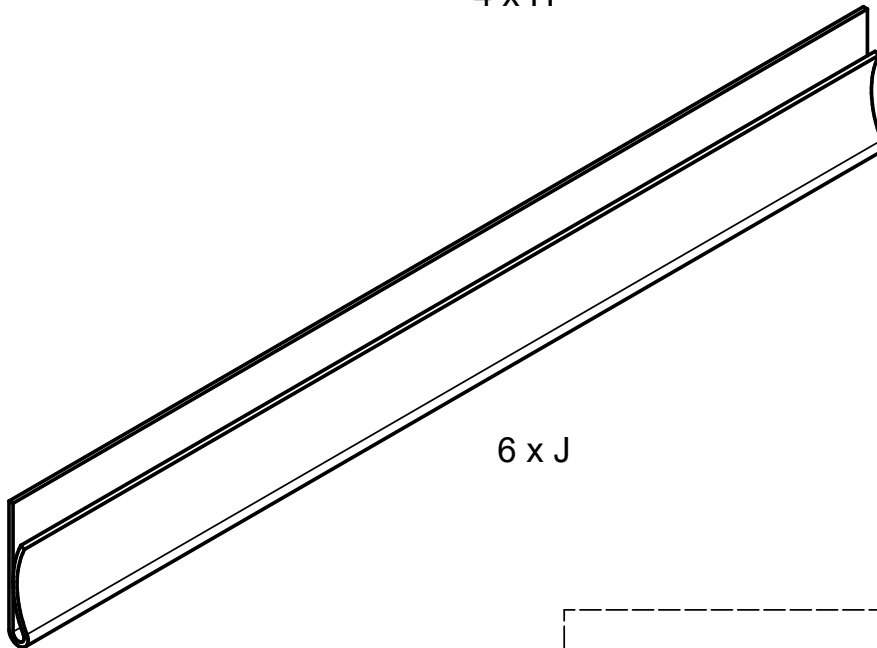
4 x G



4 x H



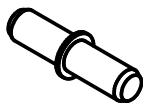
4 x I



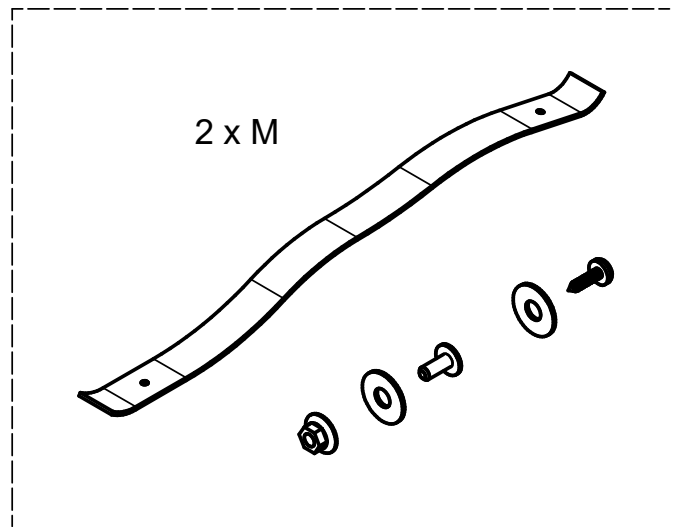
6 x J



12 x K



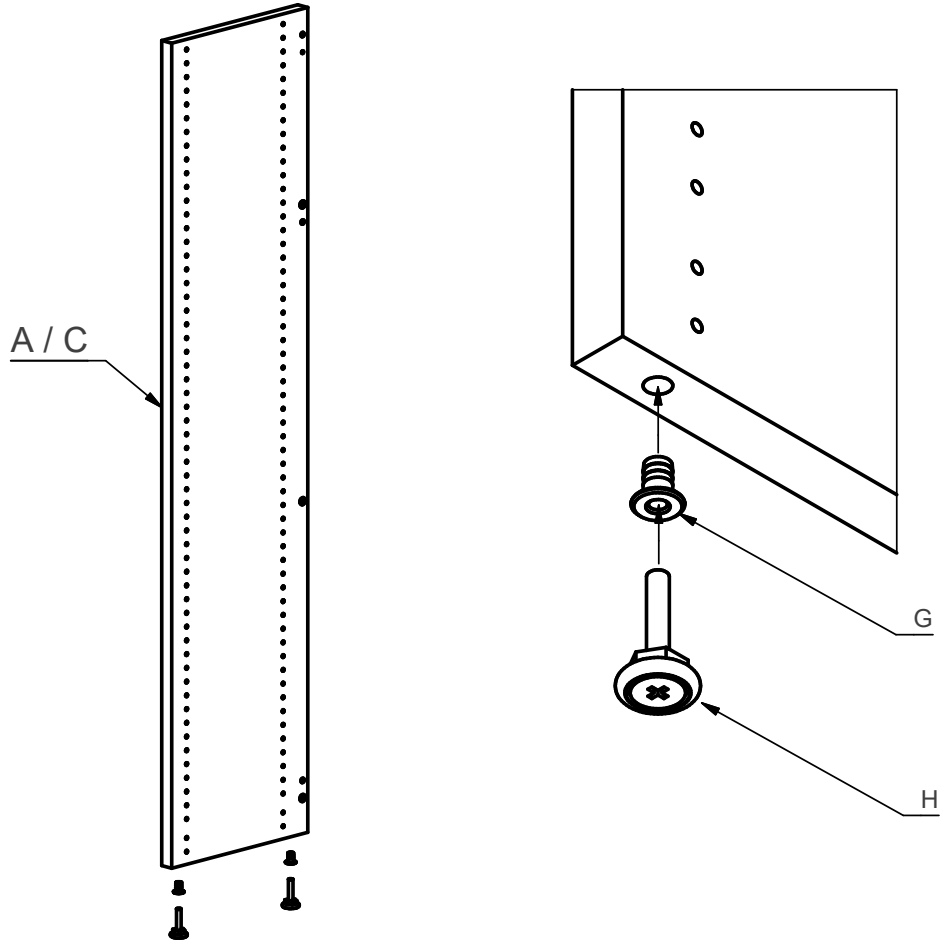
8 x L (H: 152 cm)
12 x L (H: 182 cm)
16 x L (H: 212 cm)

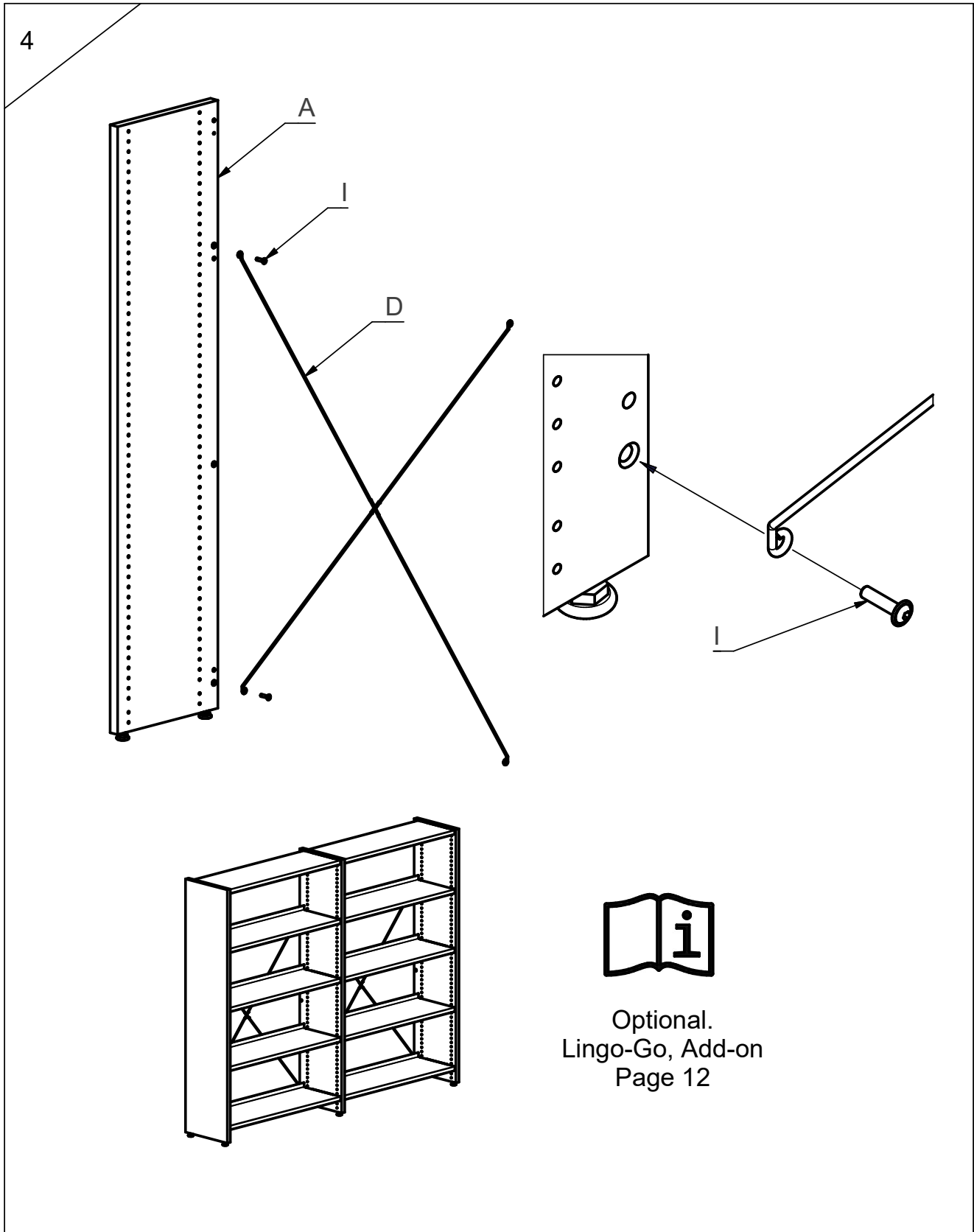


2 x M



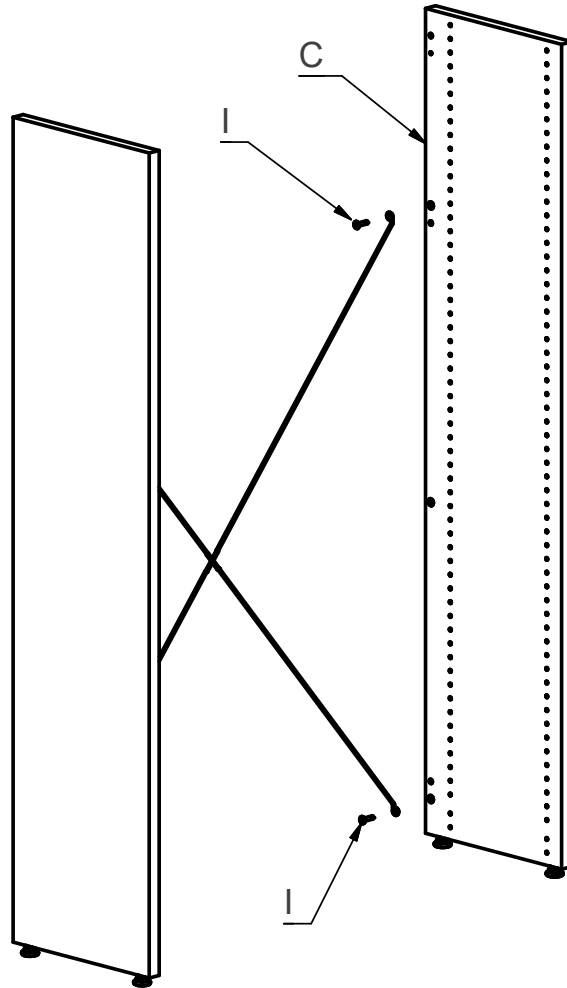
3

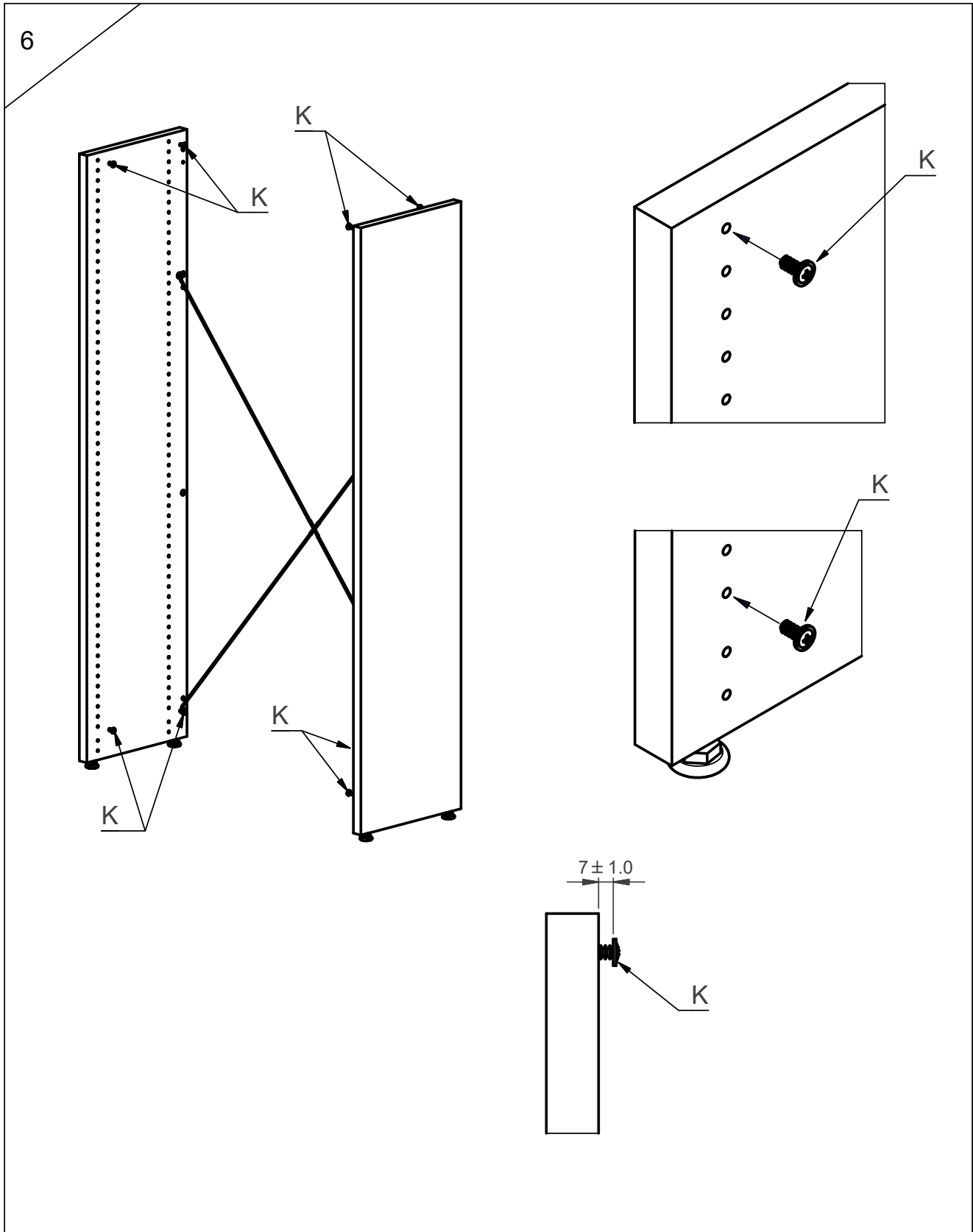


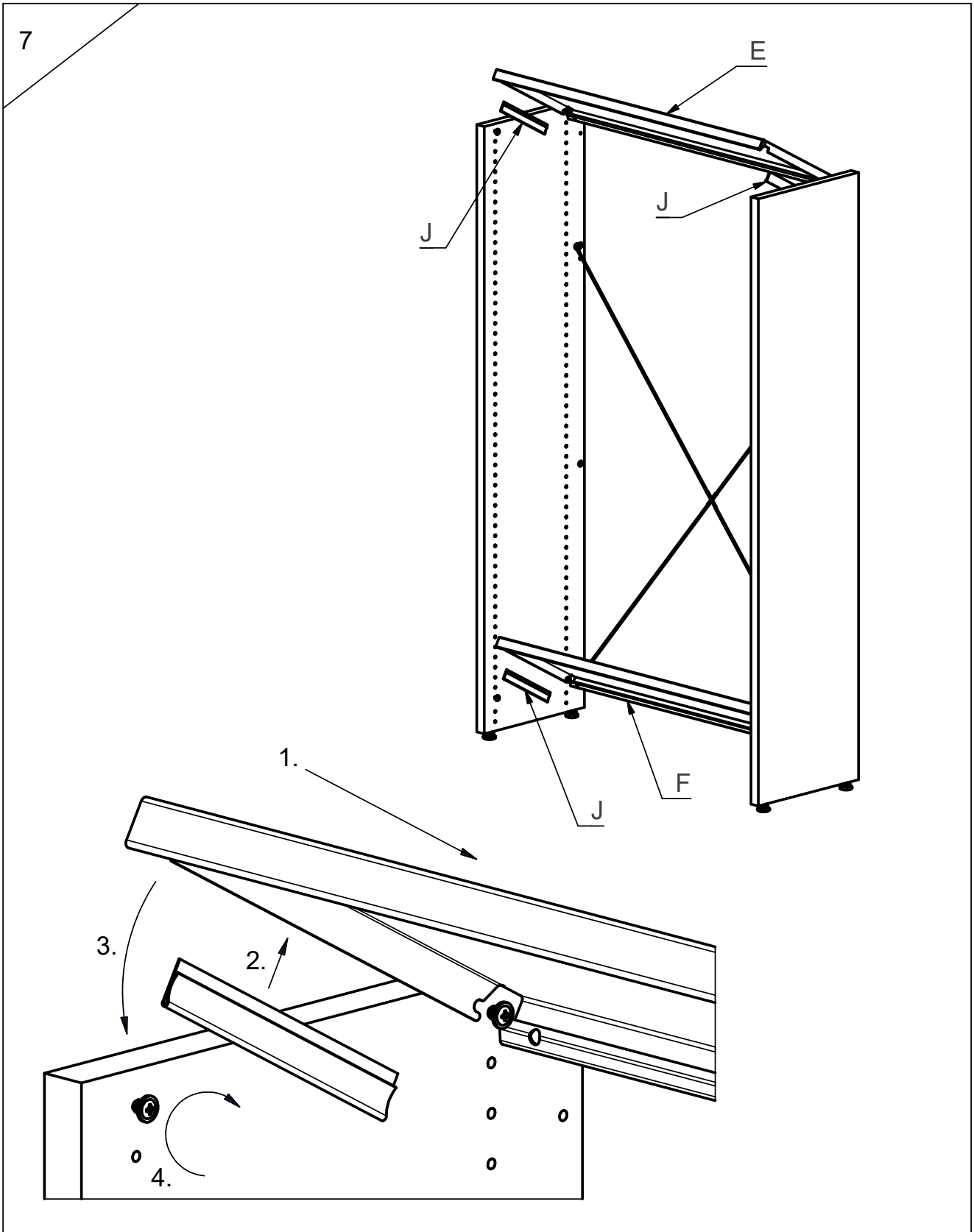




5

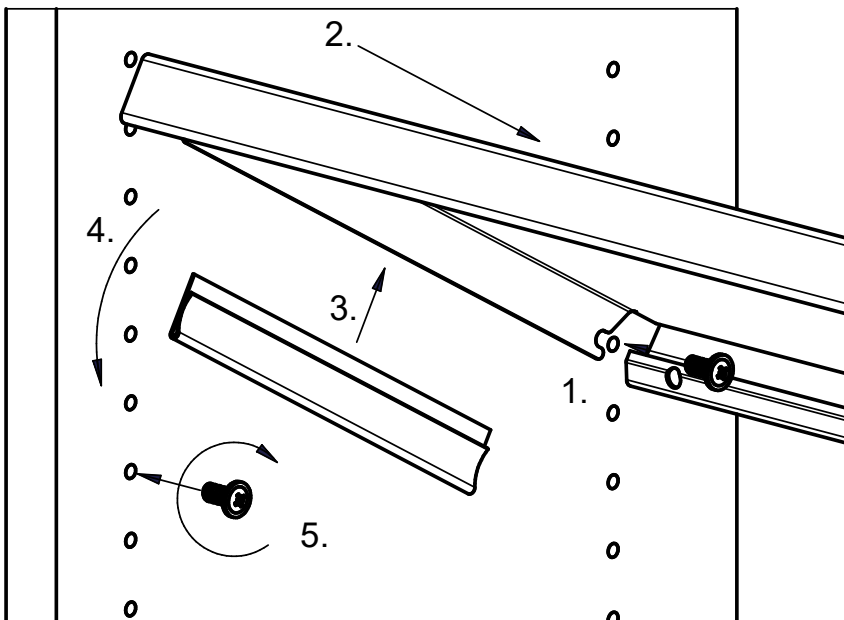
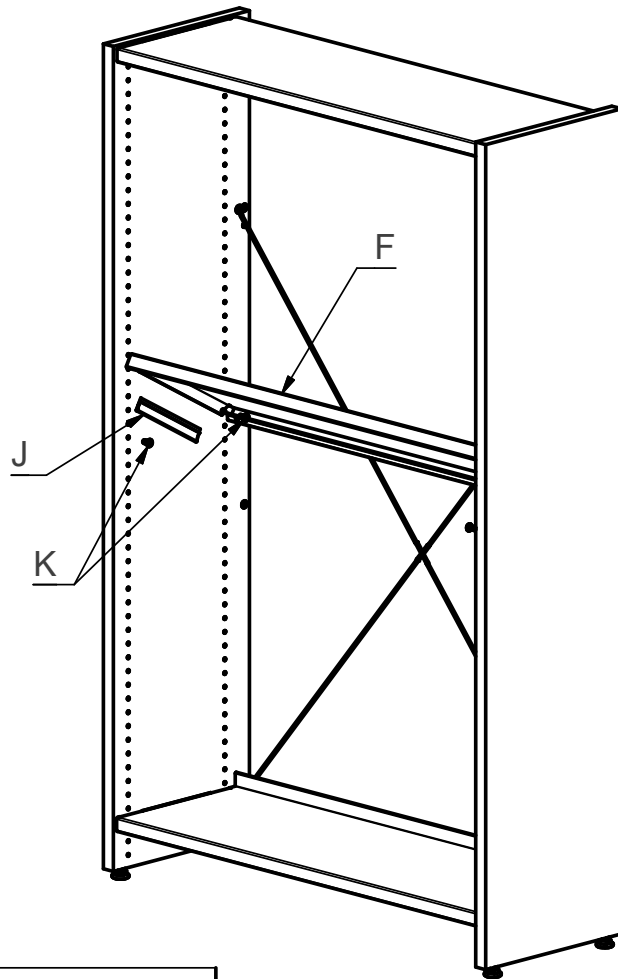
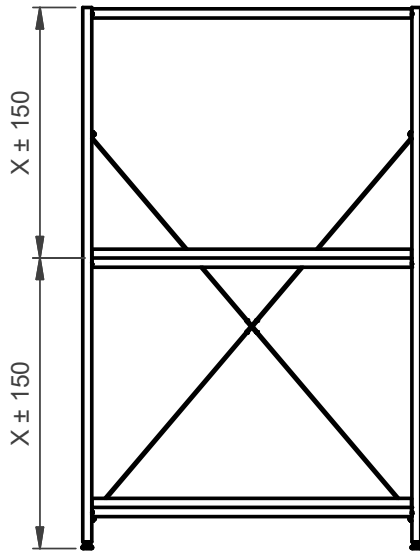


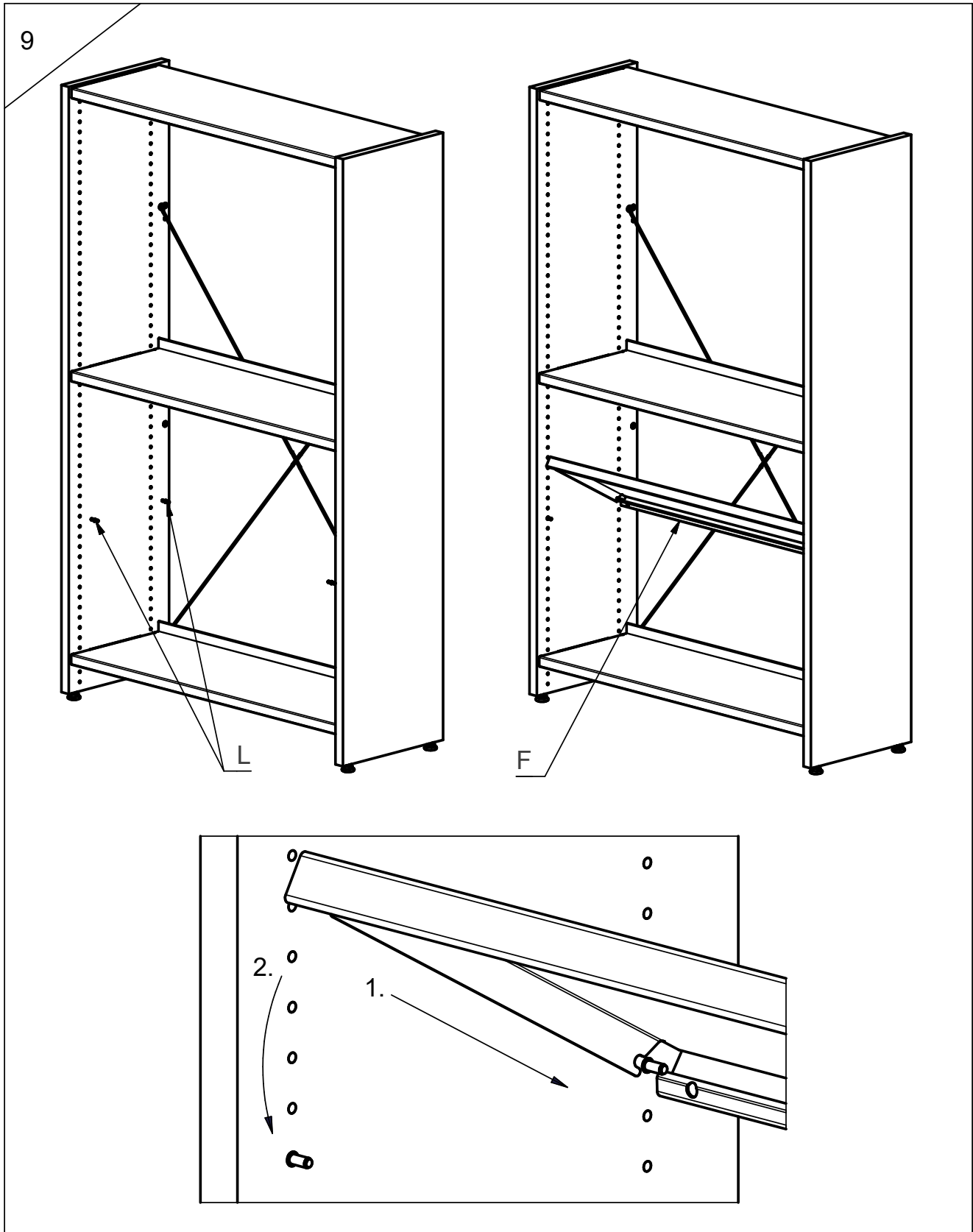


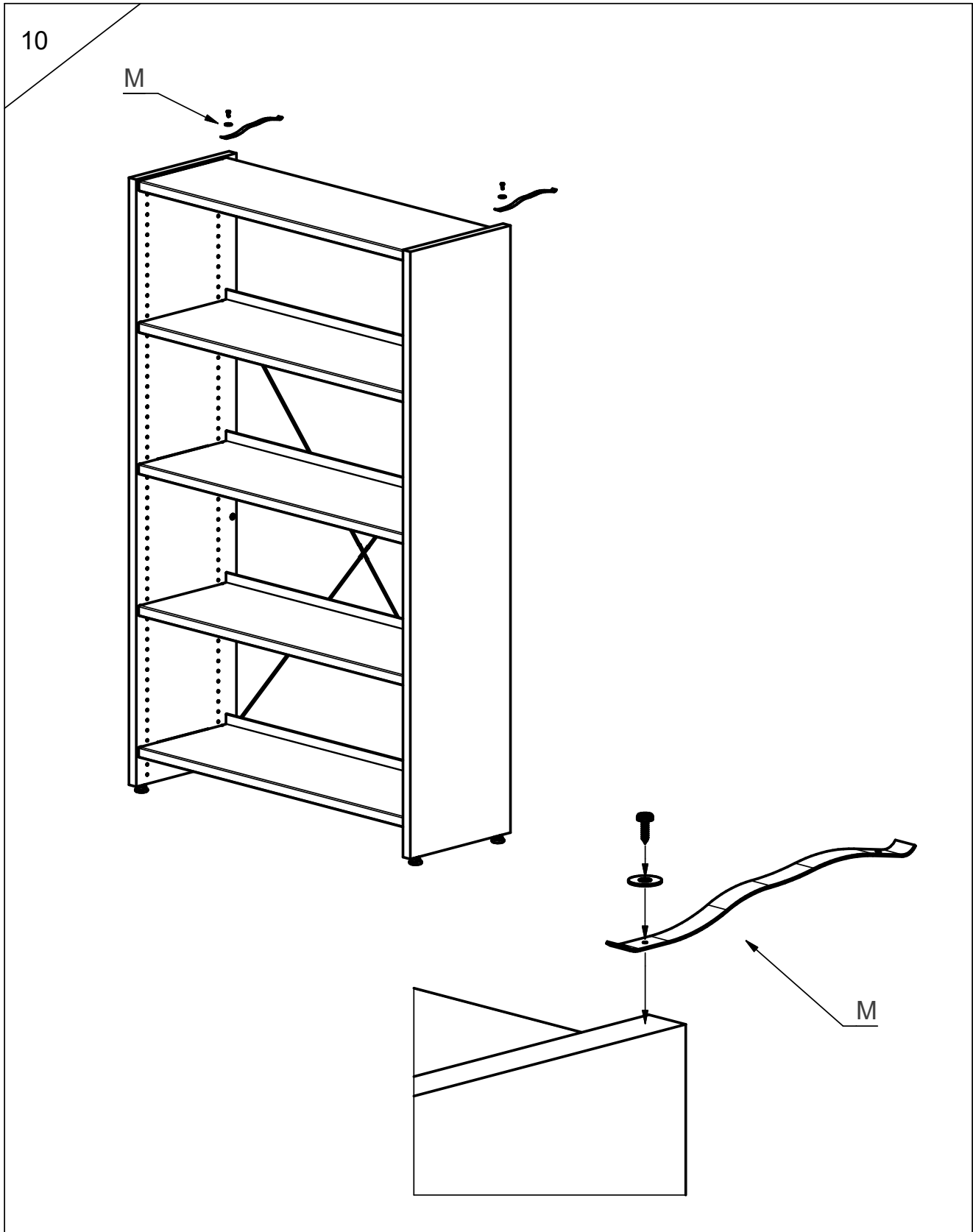




8





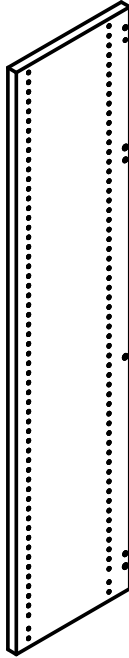


Assembly Guide

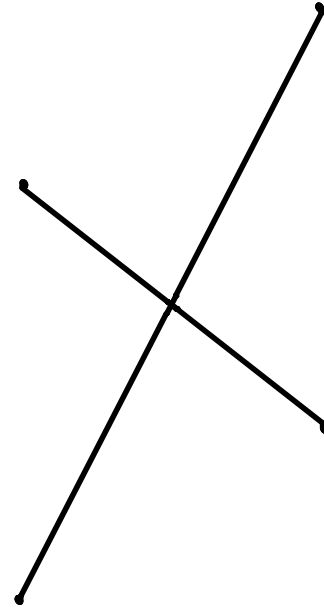


Lingo-Go, Add-on parts

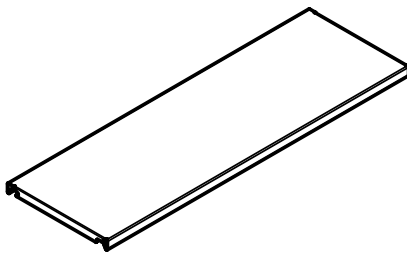
11



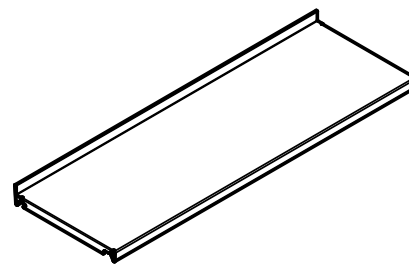
1 x B



1 x D



1 x E



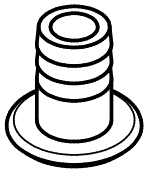
4 x F (H: 152 cm)
5 x F (H: 182 cm)
6 x F (H: 212 cm)

Assembly Guide

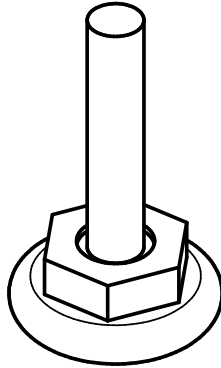


Lingo-Go, Add-on parts

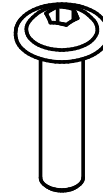
12



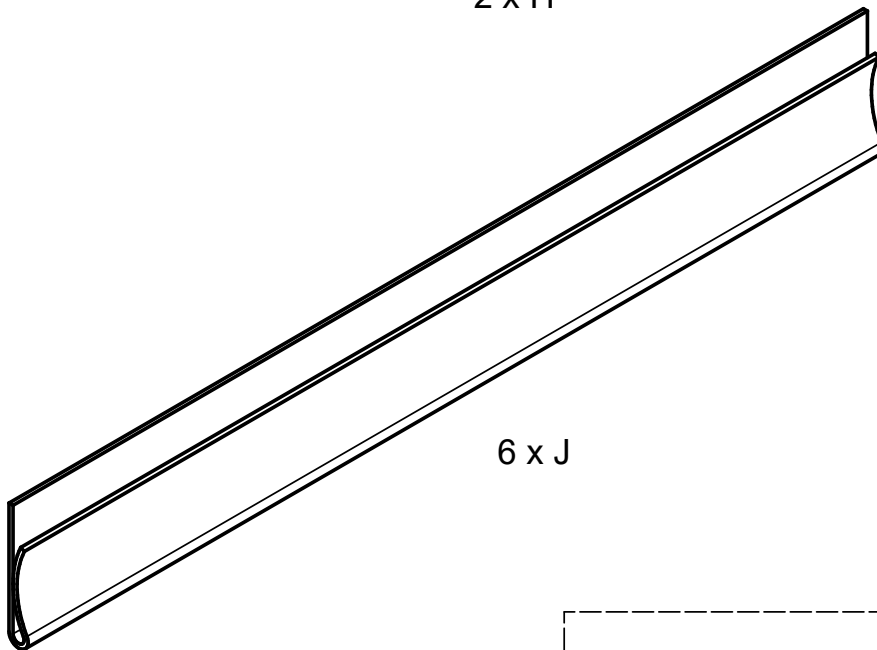
2 x G



2 x H



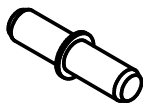
4 x I



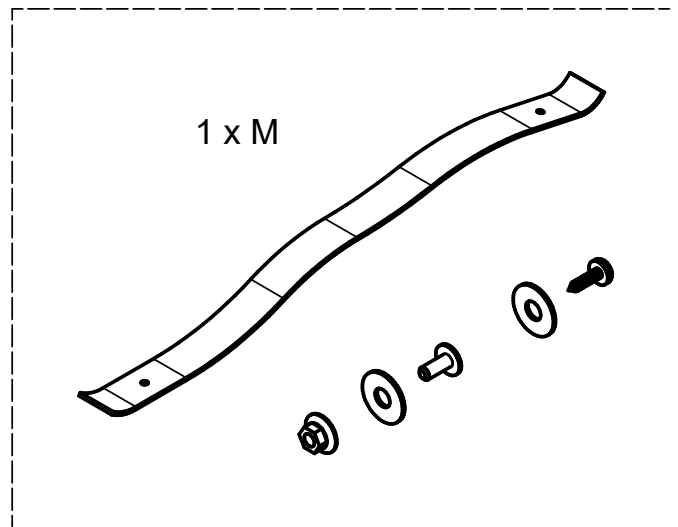
6 x J



12 x K



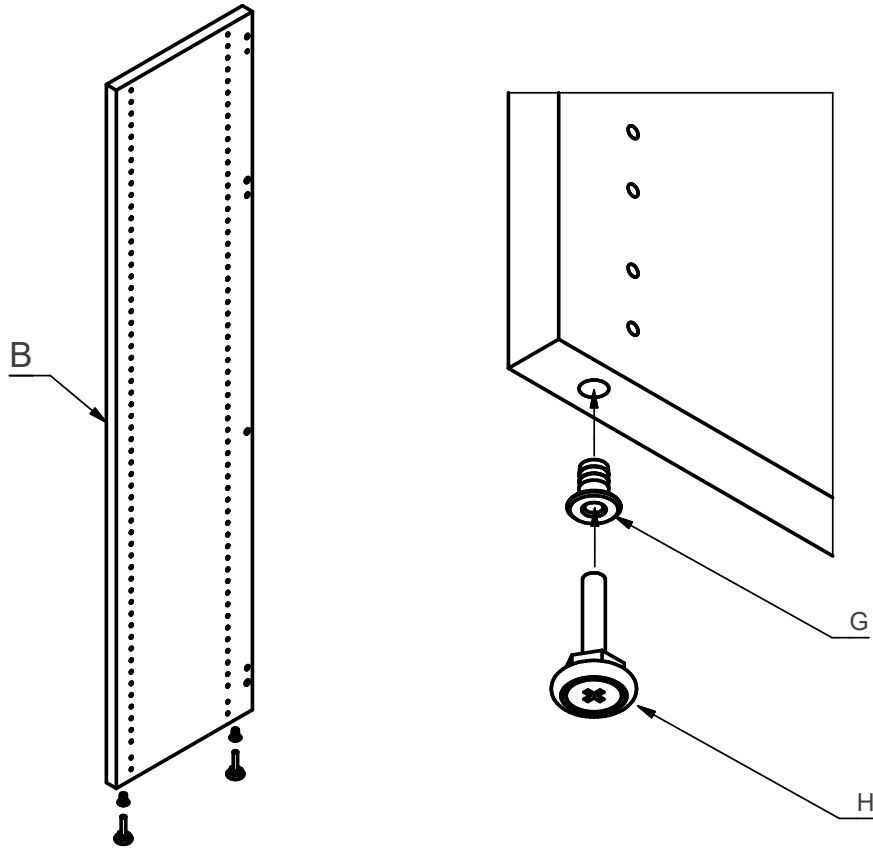
8 x L (H: 152 cm)
12 x L (H: 182 cm)
16 x L (H: 212 cm)



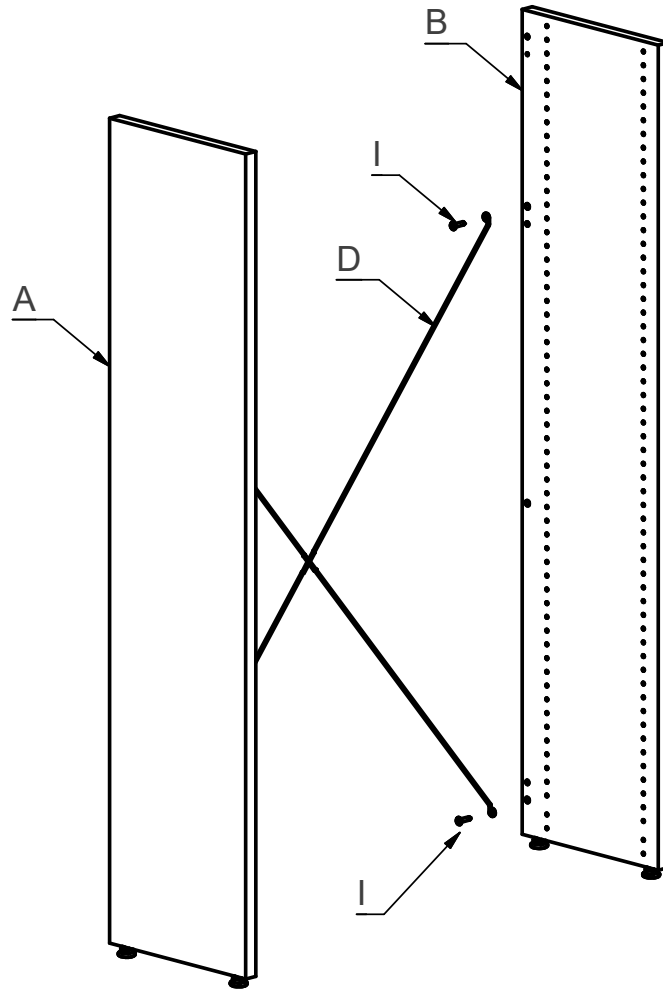
1 x M



13

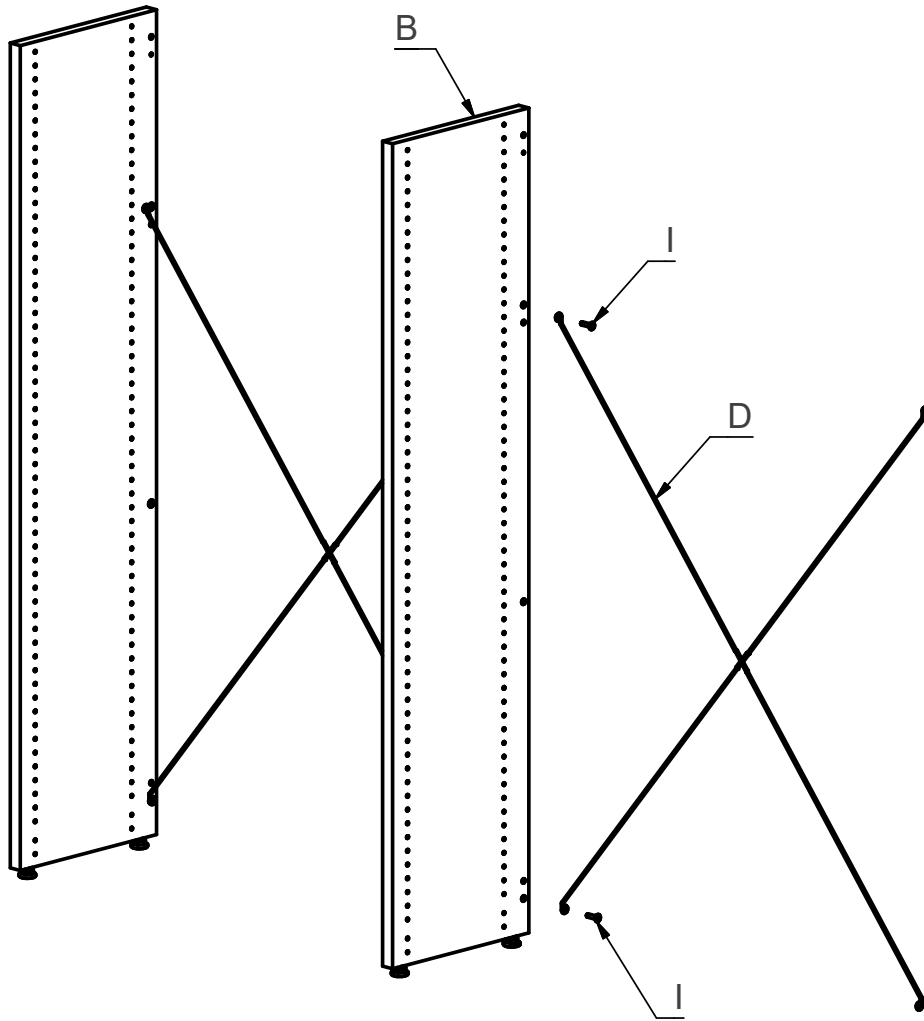


14



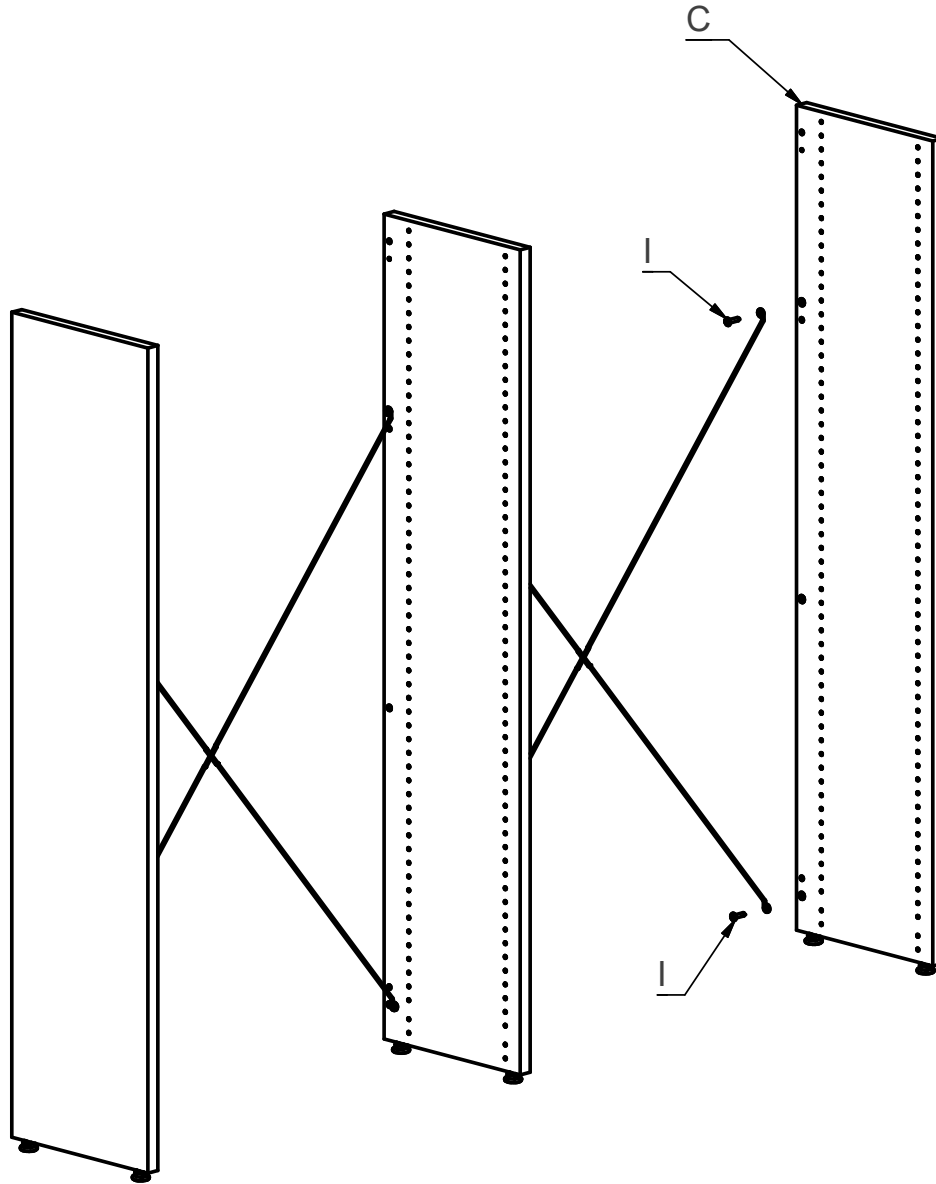


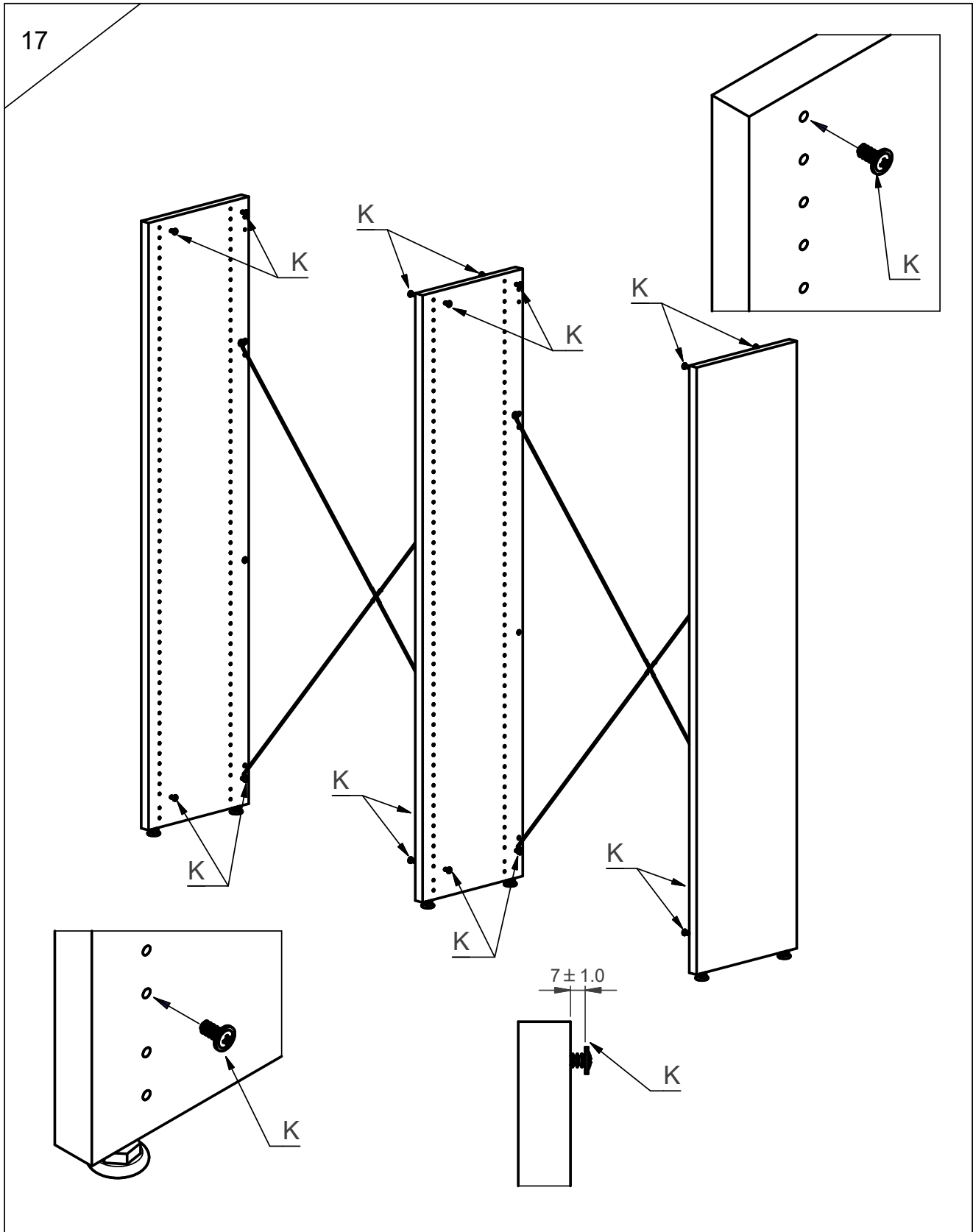
15

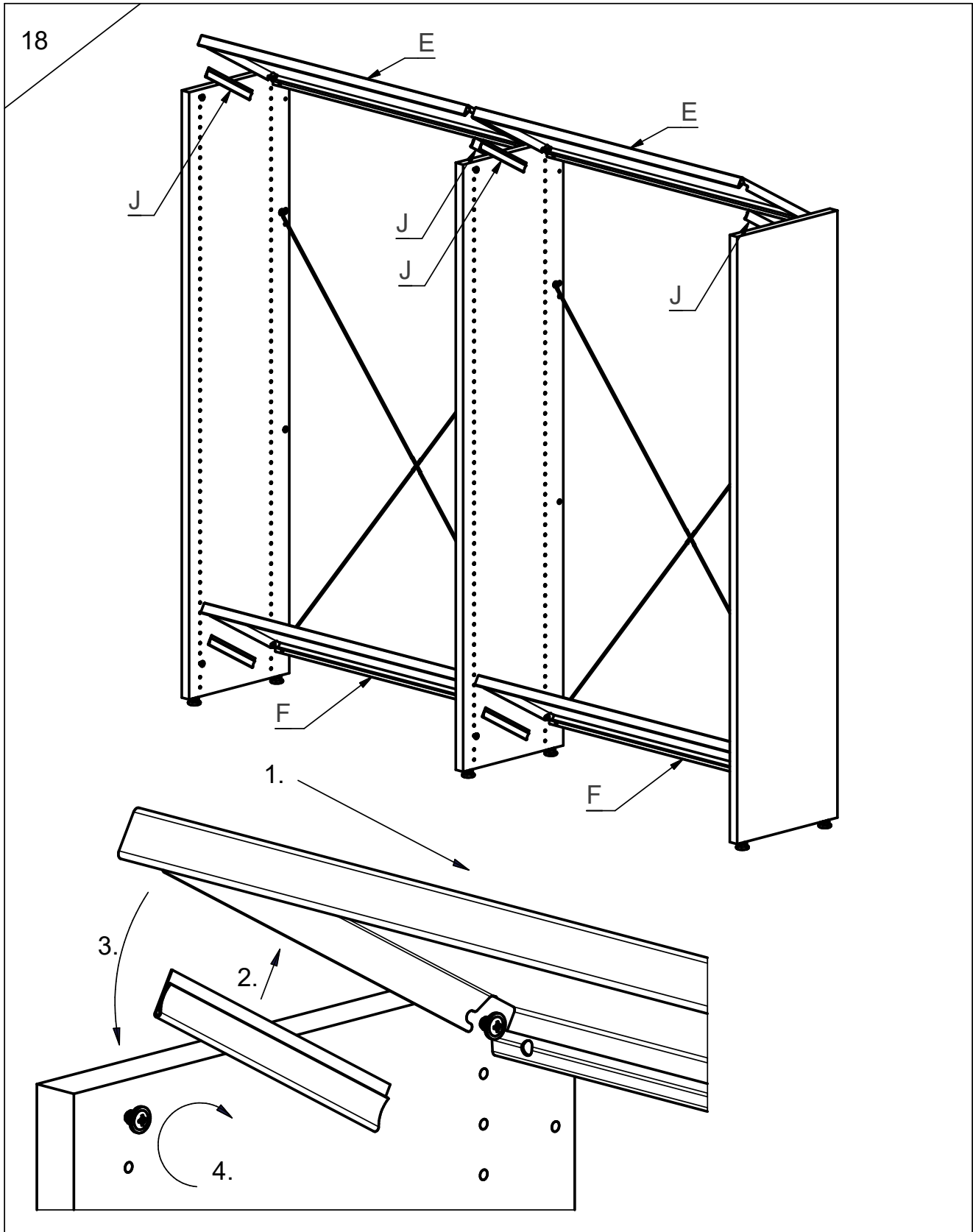


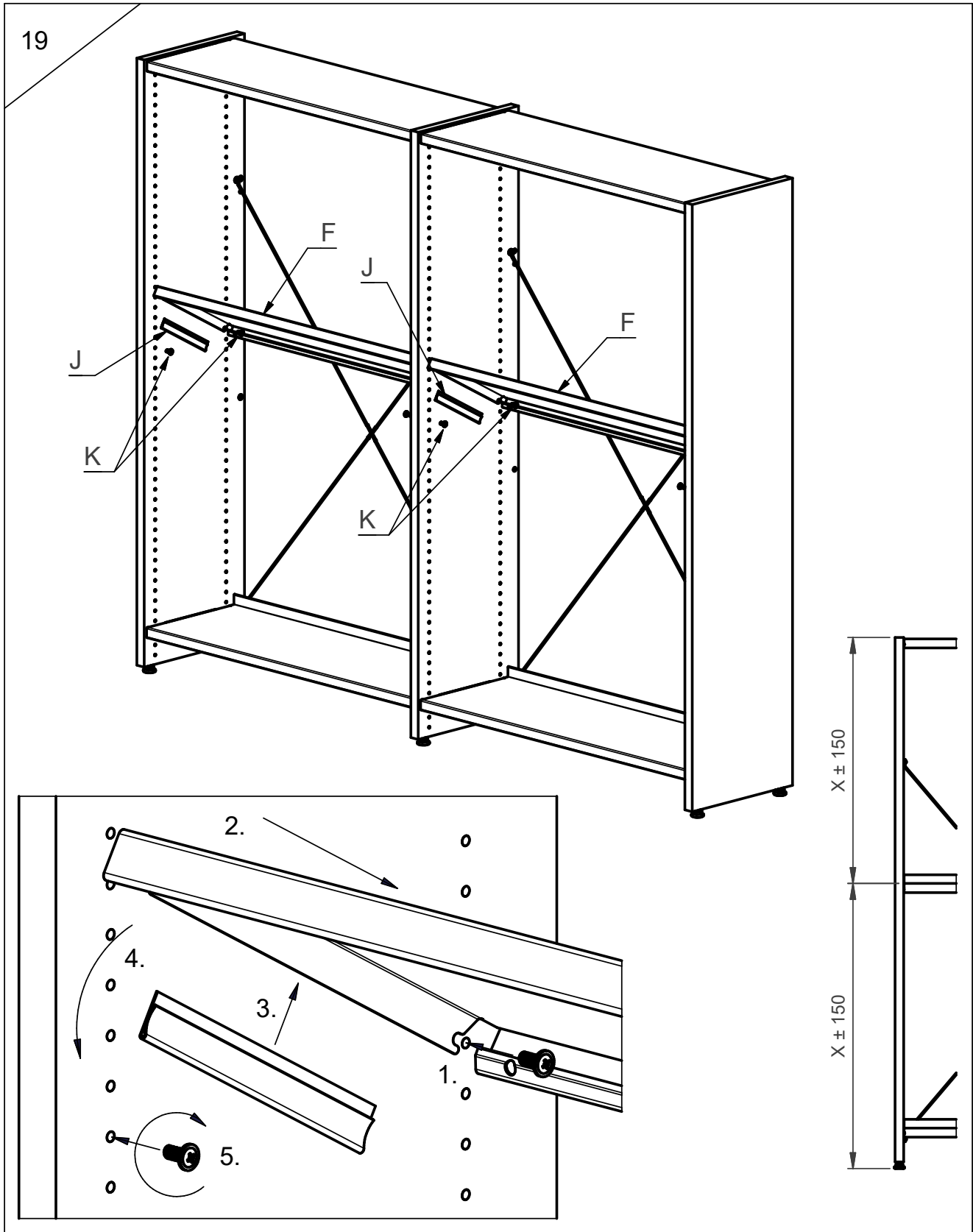


16











20

